

# SKIOLD

## UNIVERSAL HAMMERMILL TYPE SB



### Range of Application:

- Maize
- Millet
- Wheat
- Barley
- Rice
- Sorghum
- Peas
- Beans
- Oilcakes
- Cassava
- Sugar
- Salt
- Spices
- Limestone
- Chemicals
- Shells
- Date Seeds
- Dried Fish
- Bones
- Straw
- Etc.

**Suitable as  
Village Mill as  
well as Small  
Scale Milling  
Industry!**

**The SKIOLD Experience - Your Guarantee!**

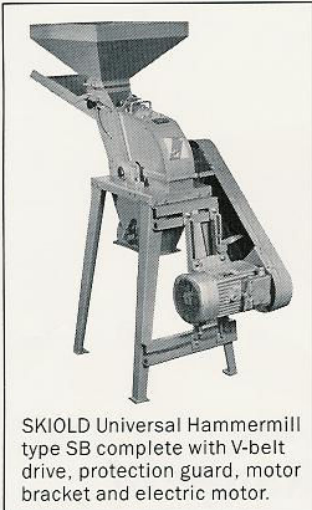
# SKIOLD Universal Hammermill Type SB

SKIOLD Universal Hammermill type SB is based on experience acquired through generations and are manufactured according to modern design concepts from the very best raw materials. Combined, these factors guarantee high performance, easy operation and durability.

The heavy mill housing and mill frame are made of thick steel plates to which the strong mill shaft is attached in 2 heavy duty dustproof self-lubricating ball bearings.

Inside the mill housing the robust rotor with 16 hammers (3800 RPM) allows grinding of almost all kinds of dry raw materials. Therefore, there are thousands of SB Hammermills in operation all over the world.

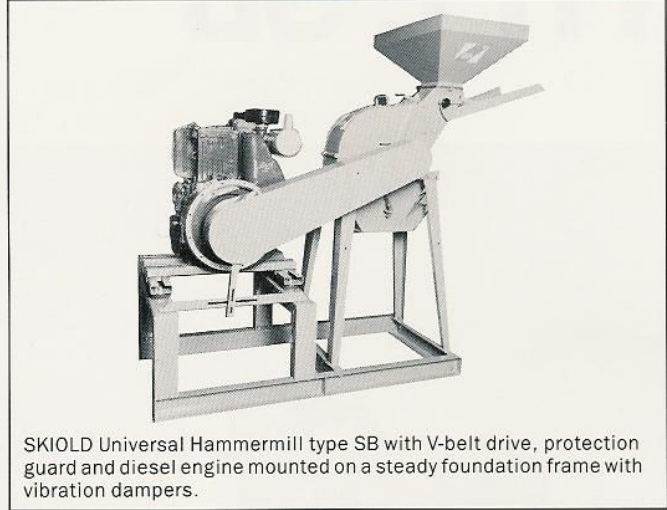
The grinding chamber of the SB Hammermill is easily accessible, which makes screen changing and hammer examination easy.



SKIOLD Universal Hammermill type SB complete with V-belt drive, protection guard, motor bracket and electric motor.



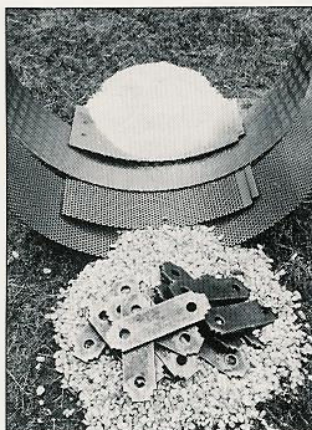
SKIOLD Universal Hammermill type SB with V-belt drive, protection guard, motor bracket with vibration dampers and petrol engine.



SKIOLD Universal Hammermill type SB with V-belt drive, protection guard and diesel engine mounted on a steady foundation frame with vibration dampers.

TECHNICAL SPECIFICATIONS	
Number of Hammers	16
RPM of Mill	3800
<b>Power:</b> – Electric Motor/RPM	7.5-10 HP/2800
– Petrol Engine/RPM	8 HP/3600
– Diesel Engine/RPM	8.0-11 HP/2000-2300
Screen Programme	0.7 mm-7.0 mm
Net Weight without Motor	107 kg

	APPROX. OUTPUTS KG/HOUR			
	Screen Size			
	0.7	1.0	1.5	2.5
Sorghum/Millet	90	150	250	400
Rice	80	125	200	350
Maize	150	225	350	500
Cassava	175	300	550	750



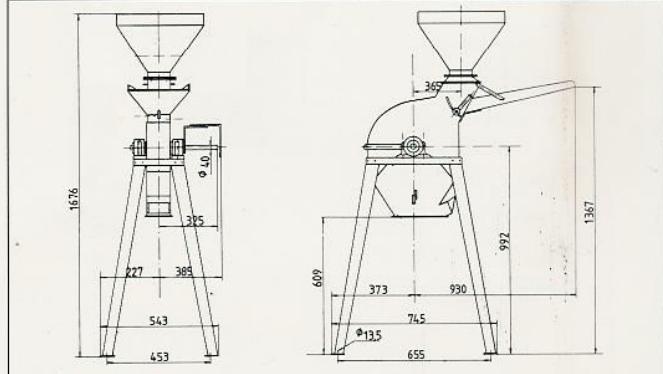
## Screens

A complete range of screens are available, from 0.7 mm to 7.0 mm perforations. The degree of fineness is determined by the perforations of the screen. Therefore, it is recommended that at least 3 different sizes are held in stock.

## Hammers

The 16 original SKIOLD hammers of the rotor are made of oil hardened special steel and are perfectly balanced. This is essential in order to avoid destructive vibrations. A set of hammers are 4-timers reversible.

## Measurements in mm



**ENGSKO**

A/S Maskinfabrikken

Engsko A/S  
Møllestensvej 13, P.O. Box 73  
DK-8900 Randers  
Denmark  
Phone: +45 86 42 64 88  
Telefax: +45 86 41 36 22  
E-mail: info@engsko.com