

ENGSKO MILLSTONES

A trusted partner for over a century



Engsko A/S

Office: +45 86 42 64 88

Fax: +45 86 41 36 22

info@engsko.com

www.unitedmillingsystems.com

Tronholmen 10 E

8960 Randers SØ



ENGSKO
UNITED MILLING SYSTEMS

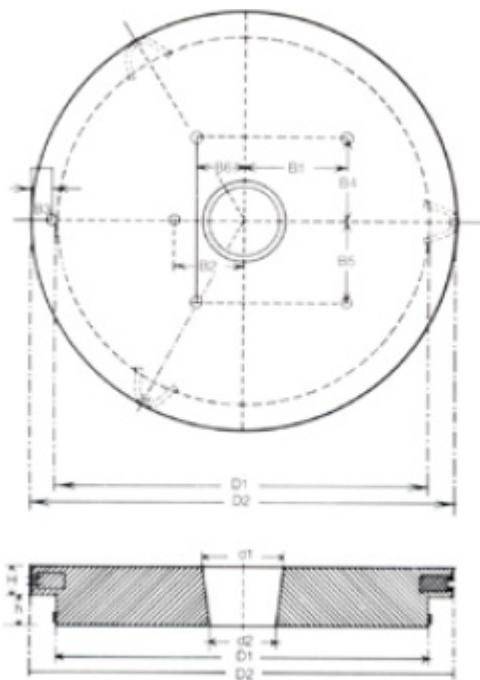
DANISH QUALITY PRODUCTS



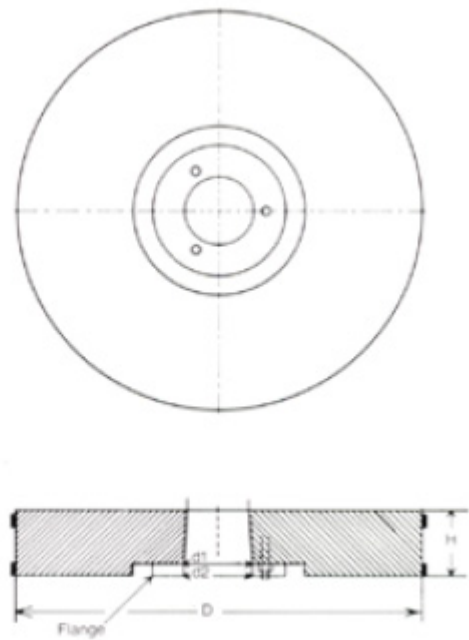
ENGSKO QUALITY

The millstone is the most essential part of a mill. The quality of the millstone is decisive both for the grinding capacity of the mill and the quality of the ground product. Today's special design of the ENGSKO artificial millstones is a result of practical experience gained during more than 100 years of production. The stones are produced in sizes from 250 mm to 1500 mm, and composed of particularly high quality natural materials such as flint and emery. There are many imitations, but only one original. Look for the ENGSKO seal of quality, cast in the rear side of the stone. That is your guarantee for the original millstone.

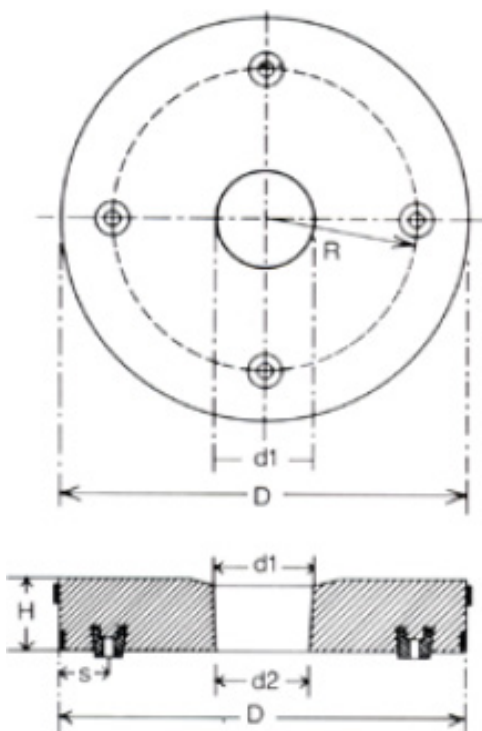
TYPES OF STONES



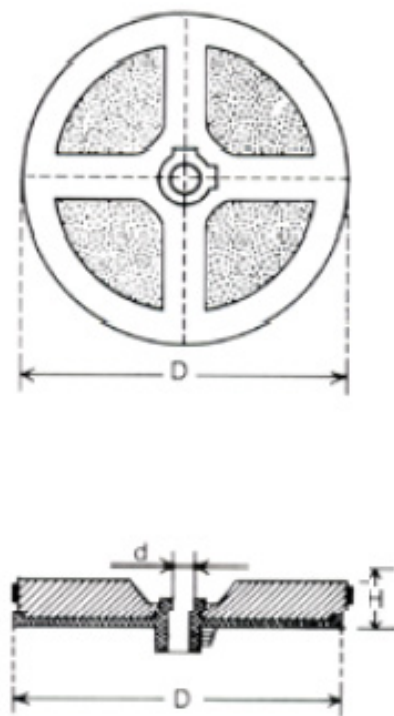
Horizontal stationary stone



Horizontal runner stone



Vertical stationary stone with 4 bolts



Vertical runnerstone

ENGSKO MILLSTONES FOR ANY MILL

There is an ENGSKO millstone for any mill - also yours. Please fill in the questionnaire below with the exact dimensions of the stones required and the name of the mill, and we shall be happy to send you our quotation. In case the stones required are different from our drawing, please enclose a sketch.

STONES FOR HORIZONTAL MILLS

A Brand of mill

B Stationary stone (see above)

1. Diameters: D1 and D2

2. Thickness: H and h

3. Diameters: d1 and d2

4. Bolt spacing: B1-B2-B3-B4-B5-B6

5. Number of nuts cast into the side (either 3 or 4)

C Runner stone (see above)

1. Diameter: D

2. Thickness: H

3. Diameters of flangehole: d1 and d2

4. Shape of the flange: round or triangular



STONES FOR VERTICAL MILLS

A Brand of mill

B B Stationary stone (see above)

1. Diameter: D

2. Thickness: H

3. Diameters of centerhole: d1 and d2

4. Distance from center of nut to side of stone: S

5. Number of nuts cast into rear side of the stone

6. Distance from center of hole to center of nut: R

C Runner stone (see above)

5. Diameter: D

6. Thickness: H

7. Diameters: d



Engsko A/S

Tronholmen 10 E

8960 Randers SØ

Office: +45 86 42 64 88

Fax: +45 86 41 36 22

www.unitedmillingsystems.com

info@engsko.com