



ENGSKO
UNITED MILLING SYSTEMS

Sifter Model BD 150



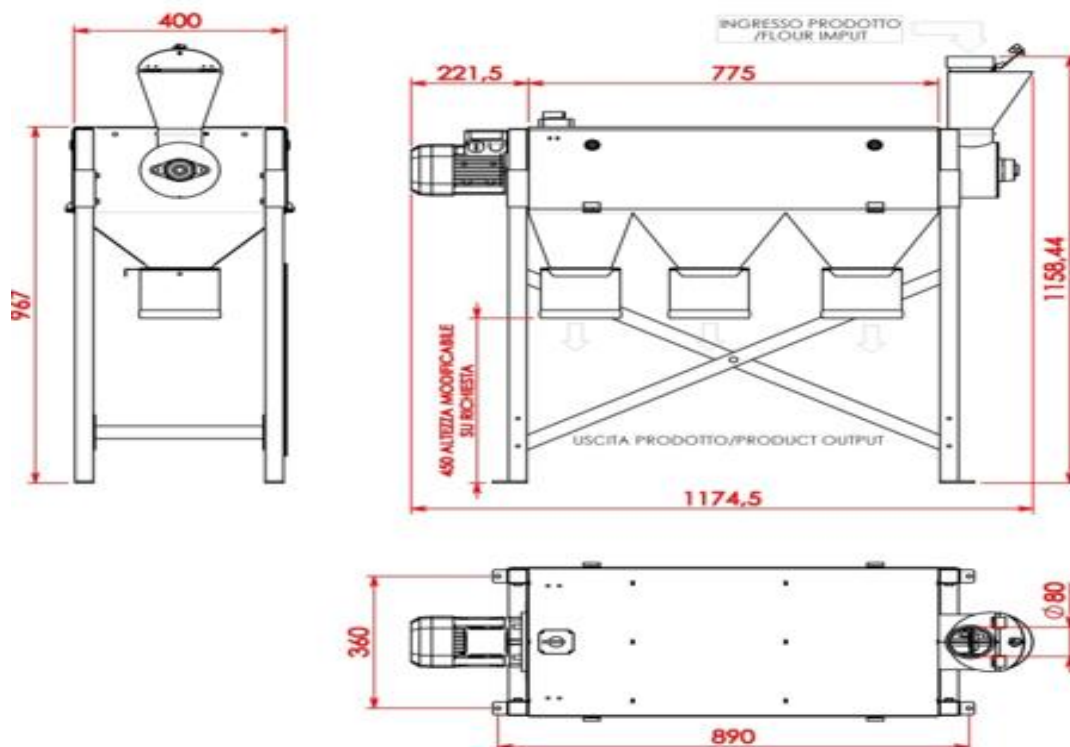
Tronholmen 10 - 8960 Randers SØ - Denmark
E-mail: info@engsko.com - www.unitedmillingsystems.com

For sifting whole meal flour, our centrifugal pulsation sifter model BD-150 is an ideal completion to your stone mill as it ensures a high output with a very good quality.

The sifter is driven by a single phase 230 v, 0,88 kW electric motor, which is directly coupled with the shaft.

It works efficiently and simply, and its dimensions fit our stone mill EM 25/250. The easily and quickly exchange sieves allow three different selections: one type of flour, fine bran and bran.

The whole structure is in powder painted, welded steel. A rotor operating by centrifugal pulsations is set up on dust-proof ball bearings. The sifter is coupled with three separate discharge outlets to sack each different type of flour and each discharge spout is supplied with nozzles and leather lacers.



Model	Sieve Lengh.	Sieve • mm.	Power Kw	Nett Weight Kg	Gross Weight Kg	Capacity MAX Kg / h
BD 150	2 X 180	150	0,18	60	90	75