

## EUROPEMILL Horizontal Stone Grinding Mills (S-model)

### Range of Application :

Maize, Millet, Wheat, Barley, Rice, Sorghum, Teff, Peas, Beans, Spices, Coffee, Sugar, Salt



### EUROPEMILL HORIZONTAL GRINDING MILL

The EUROPEMILL grinding mills are made of the best raw materials obtainable and equipped with the famous Engsko millstones.

Quality ball bearings on both sides of the shaft ensure a low power consumption. The handwheel regulates the grinding according to the degree of fineness required. The millstones are protected from damage by the safety spring if foreign matters should enter the mill.

The disengaging lever separates the millstones without changing the adjustment. Useful for start and stop operation and for cleaning the mill from stones, metal etc.

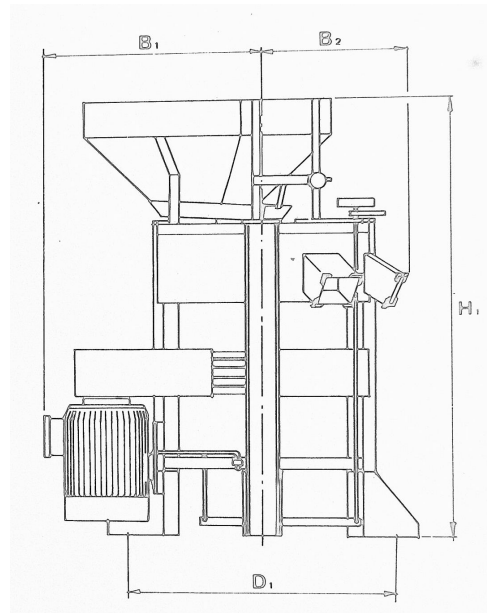
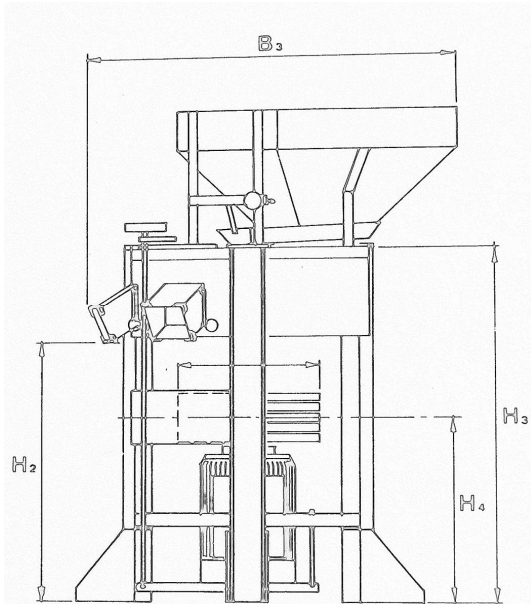
Before leaving the factory each mill is carefully tested in our quality control department.



*Horizontal grinding mill with flat belt drive*



## EUROPEMILL specifications



TECHNICAL DATA						
Model	600 S		800 S		950 S	
Motor Power, kW	7.5		15.0		18.5	
Grinding mill RPM	480		350		300	
Performance fine / coarse, kg/h	175	500	300	900	350	1000
DIMENSIONS						
B1	800		950		1080	
B2	540		690		760	
B3	1080		1200		1300	
D1	1000		1140		1380	
H1	1350		1520		1540	
H2	650		750		750	
H3	970		1140		1160	
H4	480		650		650	
Millstones Ø mm	600		800		950	
Flat pulley Ø mm	475		700		800	
V-belt pulley motor* Ø	160/B5		180/B5		180/C5	

\*= 50 Hz motor

WEIGHTS (Shipping Specifications)			
Net weight in kg w. electric motor	344	641	886
Grs weight in kg w. electric motor	438	776	1037
Volume in m3 with electric motor	1.020	1.720	2.404
Net weight in kg with flat pulley	260	485	710
Grs weight in kg with flat pulley	343	595	837
Volume in m3 with flat pulley	0.896	1.544	2.210
Net weight in kg. spare millstone	148	320	485
Grs weight in kg. spare millstone	170	348	520
Volume in m3, spare millstones	0.193	0.376	0.523

If supplied complete with electric motor, standard motors with the power stated will be delivered.  
Other powers may be made available as required by customer.

ENGSKO A/S – Tronholmen 10 – DK-8960 Randers, Denmark

Phone: +45 86 42 64 88 - Website: [www.unitedmillingsystems.com](http://www.unitedmillingsystems.com) – E-mail : [info@engsko.com](mailto:info@engsko.com)